

## Key Features

- ▶ Design Goal: To bring the thrill of live performance and cinema sound to the small room and home environments by calling on JBL's professional engineering leadership.
- ▶ Pure titanium high frequency drivers.
- ▶ Dipolar design for on wall ambient home theater applications.
- ▶ Mounting brackets included.
- ▶ THX ultra certified.

## Description

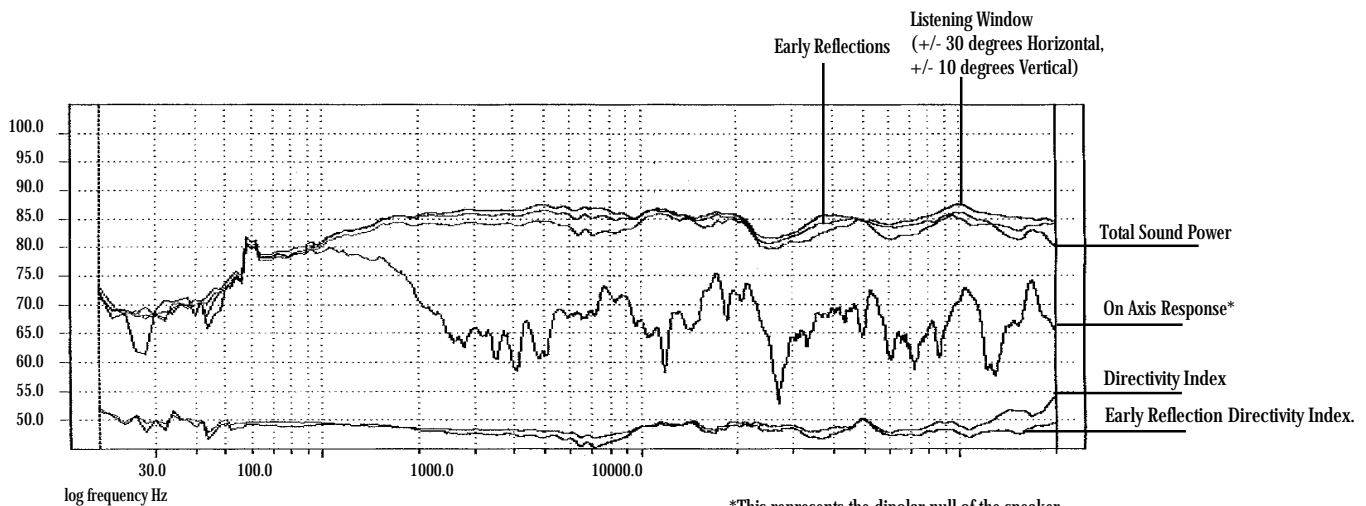
- ▶ Dipolar loudspeaker.



## Specifications

Frequency Response	80 Hz – 18 kHz (+/- 2dB)
Sensitivity	87 dB @ 2.83 Volts/1 Meter
Recommended Maximum Amplifier Power	150 Watts
Nominal Impedance	8 Ohms
High Frequency Transducer	1" Titanium Dome with Bi-Radial Horn
Crossover Frequency	2.8 kHz
Low Frequency Transducer	5.25"
Weight	16 lbs.
Dimensions (H x W x D)	1.87" x 9.25" x 7.75"
	353mm x 235mm x 197mm

## Frequency Response

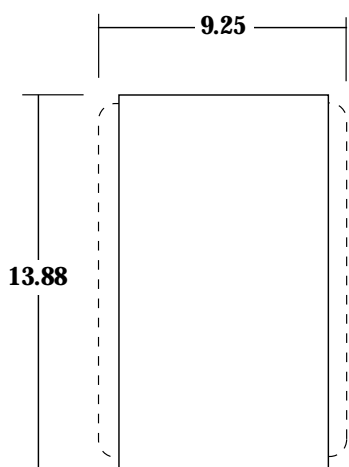




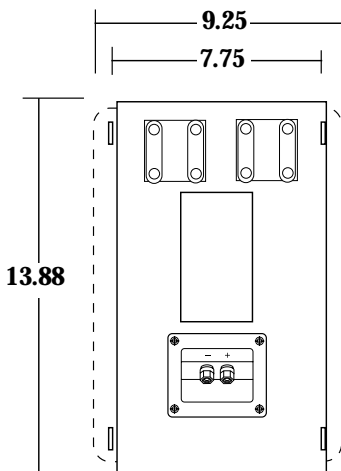
SYSTEMS INTEGRATION  
SPECIALIST PRODUCTS

Quick Spec

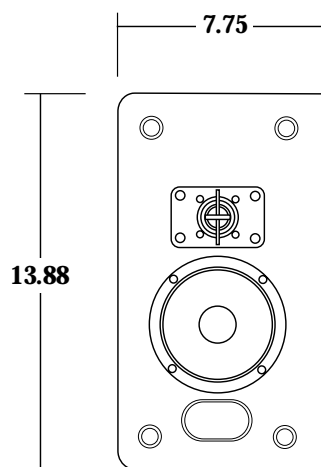
# HT1D



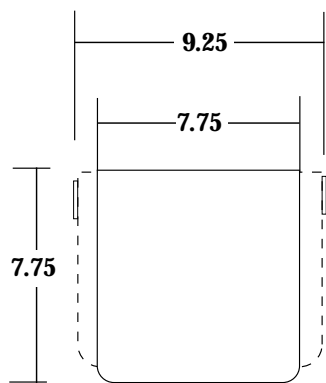
**Front**



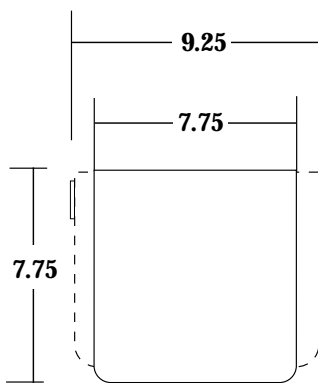
**Back**



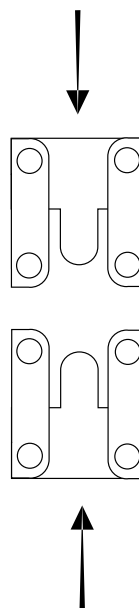
**Side**



**Top**



**Footprint**



**Two Piece  
Mounting Bracket**

All measurement in inches

**H** A Harman International Company

JBL SIS Products Group: Tel 818-830-8757 Fax 818-891-6894  
8500 Balboa Boulevard, Northridge, CA 91329  
250 Crossways Park Drive, Woodbury, NY 11797

